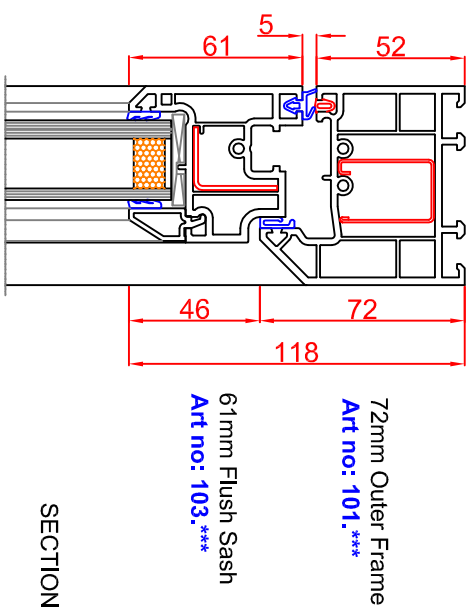
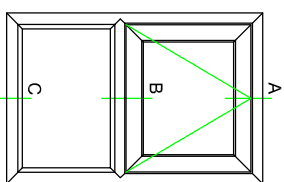
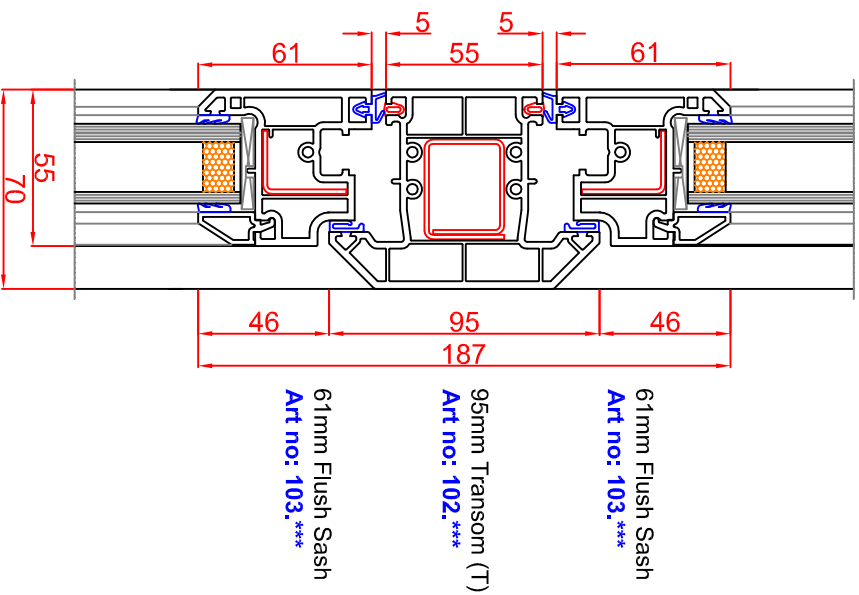
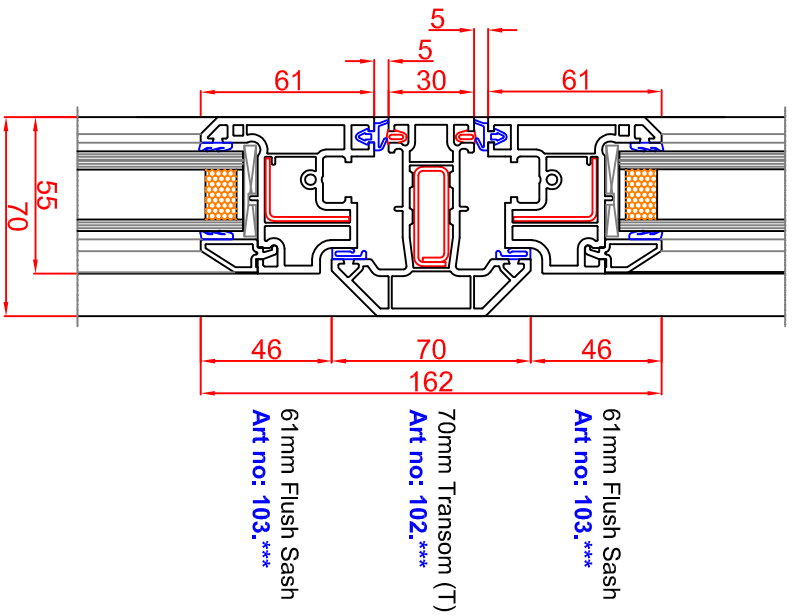
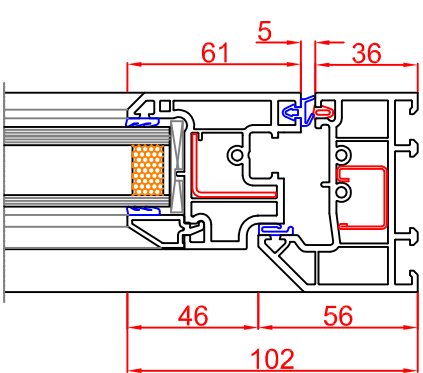


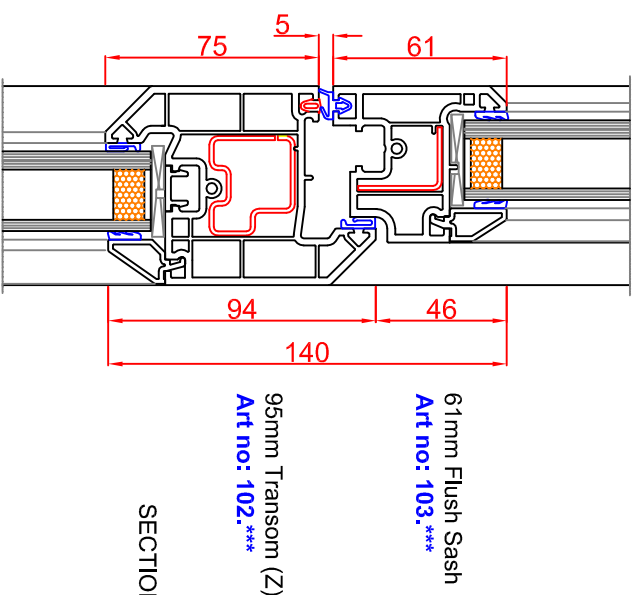
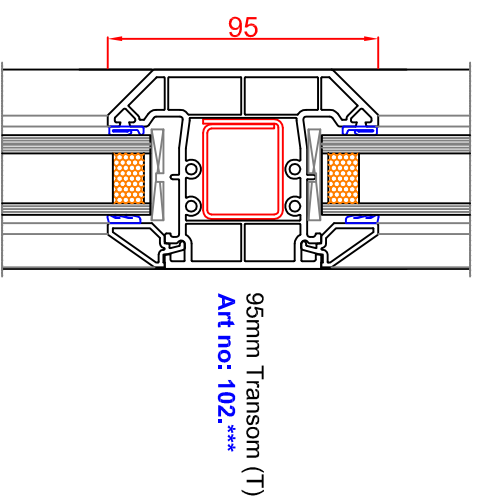
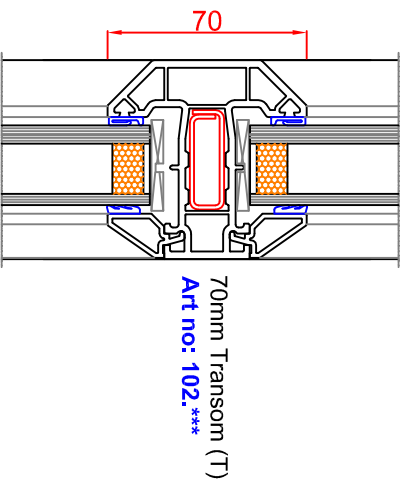
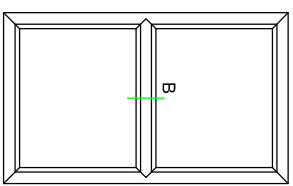
SECTION A



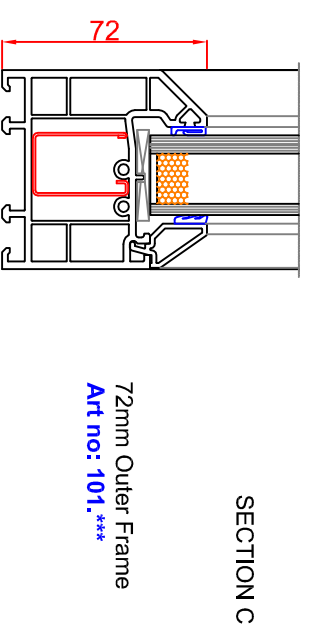
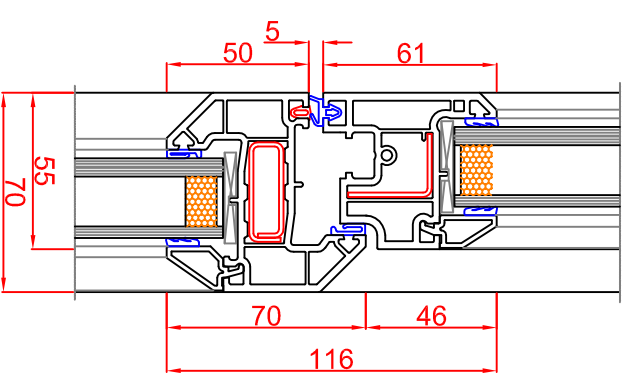
SECTION A



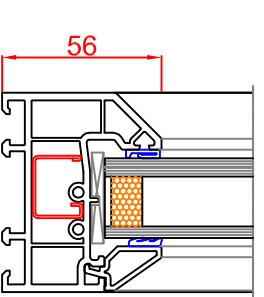
SECTION B



SECTION B



SECTION C



56mm Outer Frame  
Art no: 101.\*\*\*